

Front-End Loader

For 45 to 50 hp tractors
Model - 395

Buhler allied, World wide
Trusted Brand

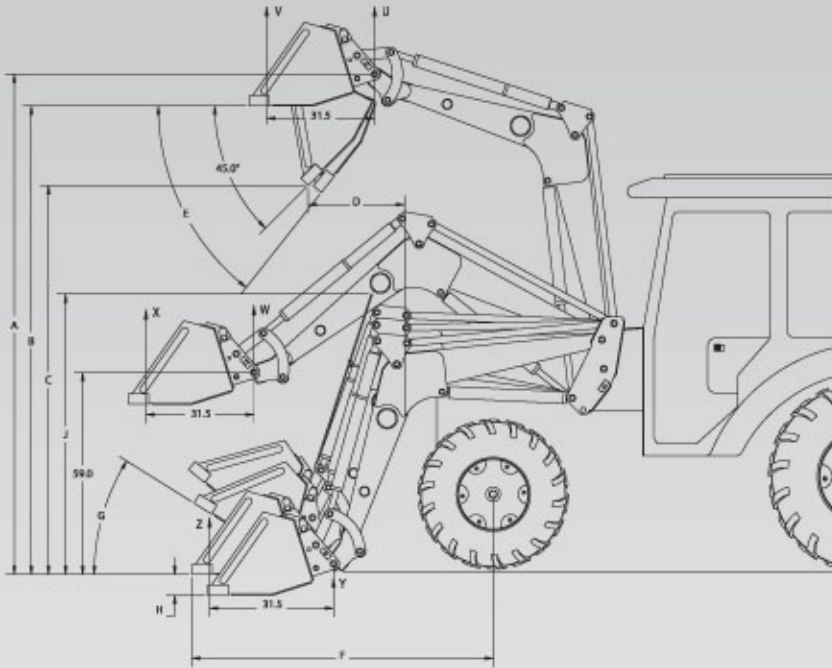


POTENTIAL AREA OF APPLICATION OF FRONT END LOADER:

- Municipal Corporation for waste/garbage collection/shifting
- Stone Crusher -Loding of crushed stone
- Road Contractors - for handling loose materils
- Ready Mixing plants- for handling loose materials like concrete
- Building contractors- for loading, shifting loose materials like soil, concrete & sand
- Coal Depots- for loading coal and so on



Dimensions & Specifications : Front-End Loader Model : 395



SPECIFICATIONS		
ITEM	DESCRIPTION	
A	Maximum lift height to pivot pin (ft)	9.80
B	Maximum lift height under level bucket (ft)	9.25
C	Clearance with bucket dumped (ft)	8.20
D	Reach at maximum lift height (ft)	1.70
E	Maximum dump angle (deg)	27
G	Maximum rollback angle (deg)	31
H	Digging depth (in)	2.9
J	Overall height in carry position (ft)	5.00
U	Lift capacity to maximum height - at pivot point (kg)	680
V	Lift capacity to maximum height (kg)	488
W	Lift capacity to 59 in height - at pivot point (kg)	816
X	Lift capacity to 59 in height (kg)	658
Y	Breakout force - at pivot point (kg)	1100
Z	Breakout force (kg)	862
	Hydraulic pressure rating/flow rate (psi)	2500
	Tractor size (HP @ normal duty)	35-50
	Weight (with bkt & mtg kit) (kg)	687
	Bucket width (ft)	6
	Bucket weight (kg)	177
	Bucket Volume Capacity (cft)	19



Advantage:

- ★ Uninterrupted Working
- ★ One year warranty
- ★ Cost Effective
- ★ Easy Handling
- ★ More Sefty & Life
- ★ More Income
- ★ More Work



 **The Metal (Pvt) Limited**

PBL Tower (10-15th), 17 North Commercial Area, Gulshan-2, Dhaka-1212. Phone: 9893981, 9898683

Back Side